

Circulation Heaters Available For Quick Shipment

The STARFLOW™ circulation heater is engineered to heat a flowing gas stream to a maximum outlet temperature of 1000°F (537°C). The 316L stainless steel chamber houses a small diameter sheathed element, which allows quick response to both heat-up and cool down cycles.

Watlow's starwound, coiled cable heater provides extremely efficient and reliable heating by maximizing the contact area of the gas or fluid with the element. Because the element is sheathed, the unit can operate in gas streams requiring a clean environment and in atmospheres containing contaminants and moisture. This provides superior performance compared to units with internally exposed or open element wires.

Performance Capabilities

- Temperatures up to 1000°F (537°C), 316L stainless steel sheath
- Maximum watt densities to 30 W/in² (4.7 W/cm²)
- Maximum voltage to 240V

Features and Benefits

Small diameter heater

- Allows for quick response time

Internal starwound element

- Provides fast, efficient heating

Sheathed element

- Provides the ability to heat in clean or impure streams

Flexibility in configurations

- Allows adaptability to any process

316L stainless steel

- Provides a rugged and corrosion resistant construction

Electropolishing available on all wetted surface

- Reduces particulate contamination

Note: contact factory for ultra-high purity applications

Low pressure loss

- Minimizes flow restriction

Note: not suitable for use as a pressure vessel

Type J or K thermocouples

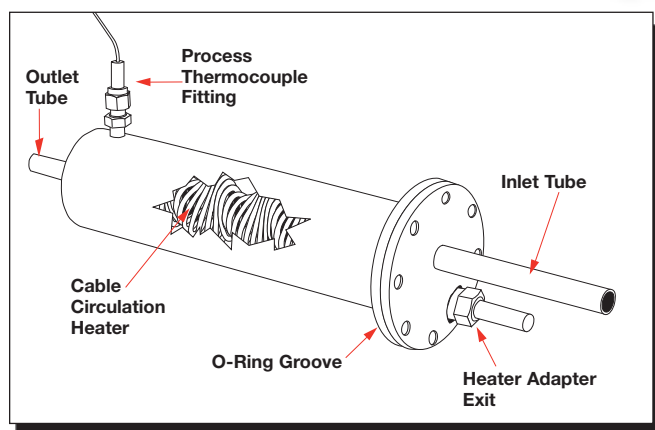
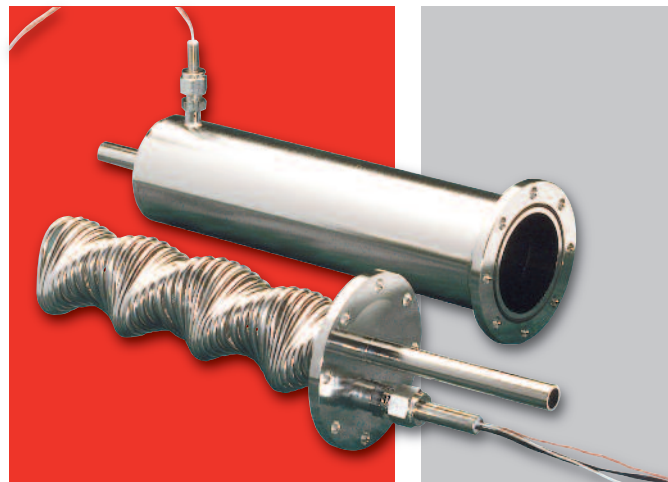
- Provides precise control and high-limit safety

Replaceable heater and thermocouple

- Reduces replacement cost

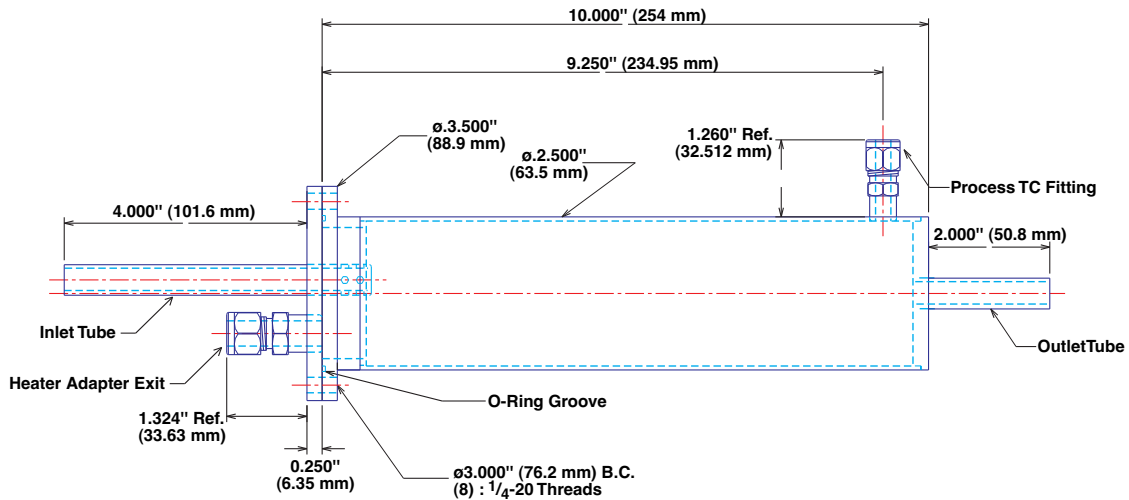
Shipment from stock

- Reduces downtime



Typical Applications

- Semiconductor processing
- Curing and drying
- Electronics
- Heat shrinking
- Thermal forming/sealing



Ordering Information

To order, complete the code number to the right with the information below.

1 2 3 4 5 6 7 8 9 10 11 12 13 14
C H

3-4. Type of Inlet

ET = 1/4 in. (6 mm) O.D. tube

JT = 1/2 in. (13 mm) O.D. tube

5-6. Type of Outlet

ET = 1/4 in. (6 mm) O.D. tube

JT = 1/2 in. (13 mm) O.D. tube

7-10. Heater Wattage

0375 = 120V, 375 W

0500 = 120V, 500 W

0750 = 120V, 750 W

1500 = 240V, 1500 W

2000 = 240V, 2000 W

3000 = 240V, 3000 W

11. Internal Thermocouple Calibration (Heater)

J = Type J

K = Type K

12. Surface Finish of Assembly and Heater

X = Unfinished

E = Electropolished

13. Process Thermocouple Calibration (Assembly)

J = Type J

K = Type K

14. O-Ring Material

A = Viton® 500°F (260°C)

M = Alloy X750® 1300°F (704°C)

T = Teflon® encapsulated Viton® 392°F (200°C)

Watlow® is a registered trademark of Watlow Electric Manufacturing Company.
STARFLOW™ is a registered trademark of Watlow Electric Manufacturing Company.

To be automatically connected to the nearest North American Technical Sales Office:

1-800-WATLOW2 • www.watlow.com • inquiry@watlow.com

International Technical Sales Offices: Australia, +61 3 9335 6449 • China, +86 21 3381 0188 • France, +33 1 41 32 79 70

Germany, +49 (0) 72 53 / 94 00-0 • Italy, +39 024588841 • Japan, +81 3 3518 6630 • Korea, +82 2 2628 5770

Malaysia, +60 3 8076 8745 • Mexico, +52 442 217 6235 • Singapore, +65 6773 9488 • Spain, +34 91 675 12 92

Taiwan, +886 7 288 5168 • United Kingdom, +44 (0) 115 964 0777