

Junction box for use with electric heat tracing systems.

## JUNCTION BOX

- Available for use in safe and hazardous areas.
- Suitable for use with many styles of heating cable.
- IP66/68 rated.
- Can be used with a selection of terminals.

### DESCRIPTION

Heat Trace supply quality junction boxes as part of a complete Heat Trace System. As standard, robust and corrosion resistant polyamide enclosures are supplied for use in safe (non-hazardous) or hazardous (Zone 1 or Zone 2) areas.

When used in hazardous areas the enclosures provide type EExe protection (increased safety) as per BS EN 50019: 2000, Electrical apparatus for potentially explosives atmospheres. Increased safety "e".

The boxes, as part of the overall Heat Trace System, also meet the requirements of IEC62395 - Electric Heat Tracing for Safe Industrial Locations and IEC60079-30 - Electric Heat Tracing for Hazardous Locations (formerly IEC62086).



Heat Trace Ltd. Mere's Edge Chester Road Helsby, Frodsham Cheshire WA6 0DJ UK

[www.heat-trace.com](http://www.heat-trace.com)

## SPECIFICATION

**AMBIENT TEMPERATURE:** -40°C to +50°C  
(-40°F to +122°F)

**MINIMUM OPERATING TEMPERATURE:** -65°C\* (-85°F)

### ENTRIES:

Standard entries are 20mm and 25mm ISO metric. Alternatives upon request are: ¾" and 1" B.S. Conduit, Pg11, 13.5, 16 and 21, ½" and ¾" N.P.T. Optional 32mm entry on one side to accommodate a DESTU.

### TERMINAL BLOCKS:

#### Weidmuller - Klippon Terminals

TYPE	Wire Capacity mm <sup>2</sup>		Maximum Ratings		
	MIN	MAX	VOLTS	AMPS	QTY
SAK2.5	0.5	2.5	550	15	10
SAK4	0.5	4.0	550	15	8
SAK6N	0.5	6.0	550	18	6
SAK10	2.5	10.0	550	37	4
WDU2.5	0.22	2.5	726	15	8
BK3-BK8	0.5	4.0	275	21	1
Mk6/3-4-6	0.5	6.0	418	18	1

#### Entrelec Terminals

TYPE	Wire Capacity mm <sup>2</sup>		Maximum Ratings		
	MIN	MAX	VOLTS	AMPS	QTY
MA2.5/5	0	2.5	380	15	10
M4/6	0	4.0	660	30	8

### APPROVAL DETAILS:

Testing Authority	Certificate No.
ATEX	- Sira 03ATEX3398
EAC*	- TC RU C-GB.MIO62.B.06045
CNEX	- CNEx19.1556
CSA	- 1350782 1295278 1352981 1547590

**APPROXIMATE VOLUME:** 450cm<sup>3</sup>

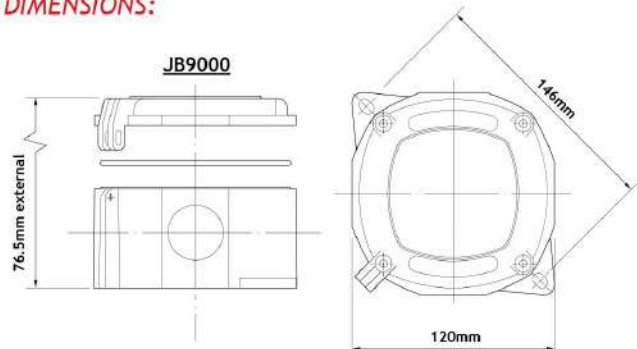
**WEIGHT:** 0.47kgs

### ENTRY OPTIONS:

	20mm	25mm
1 Way	9001	9051
2 Way	9002	9052
3 Way	9003	9053
4 Way	9004	9054
Angle	9005	9055

To order Enclosures with alternative entries, please give a full description of your requirements.

### DIMENSIONS:



**MATERIAL:** Glass reinforced Polyamide, Fire Retardant

**FINISH:** Matt Black

### SPECIAL FEATURE

The enclosure has a uniquely designed hinged cover that allows the unit to remain 'as one' during installation.

### "T" RATINGS:

The maximum current allowed per terminal way is limited to 26A for a temperature classification of T4 and 16A for temperature classification of T6. During installation the engineer must apply the relevant T Class to the certification label. Please refer to product instructions for more information.